

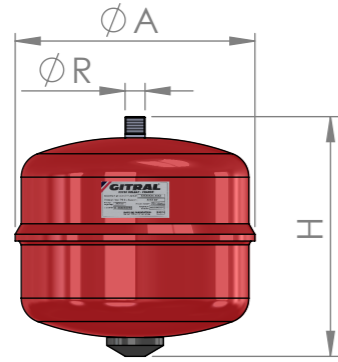
**GITRAL®**

**ZI DE BOURNAT F63190 ORLEAT**

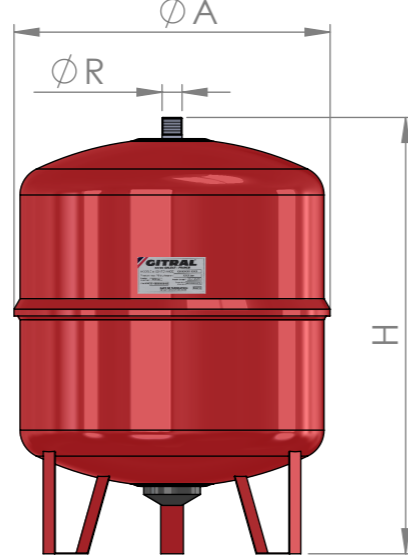
This drawing is the property of company  
GITRAL S. A.  
All rights reserved.

**Technical drawing MB**

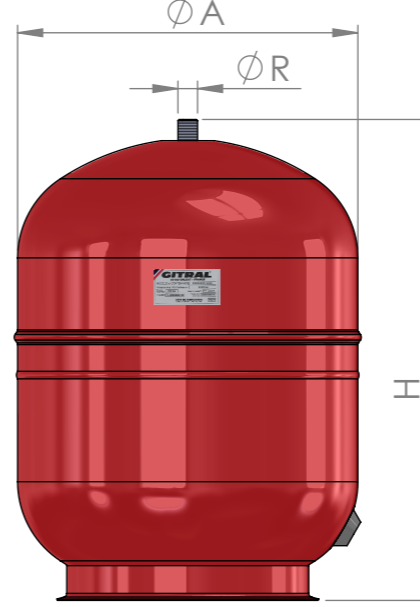
4-8-12-18-25 (L)



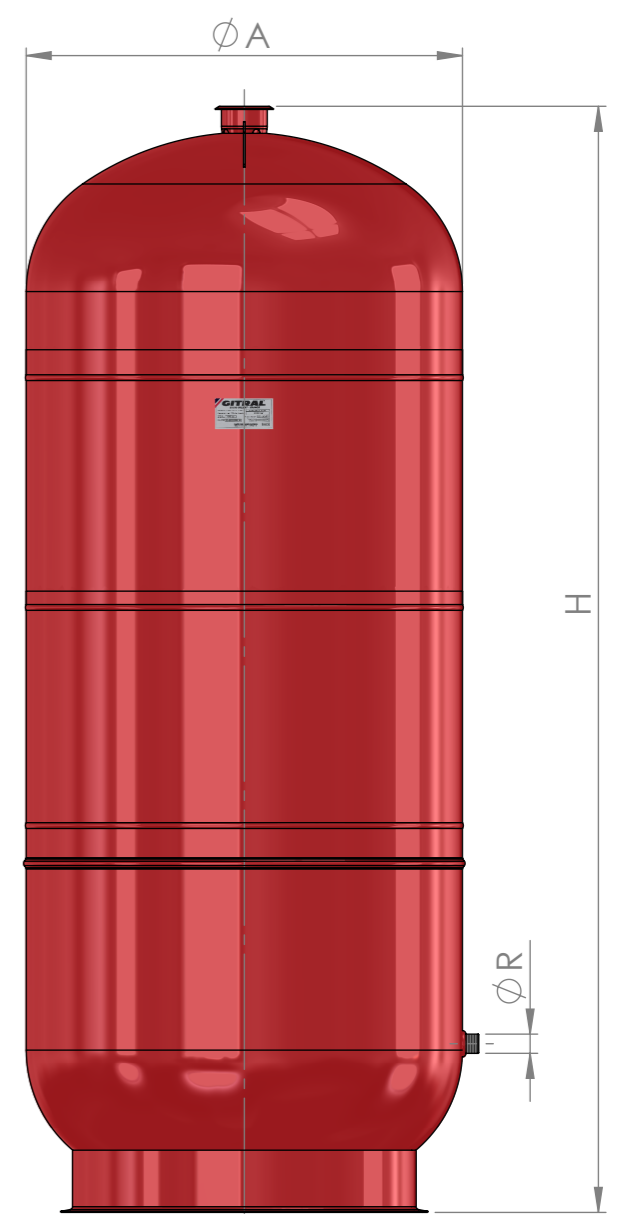
35-50 (L)



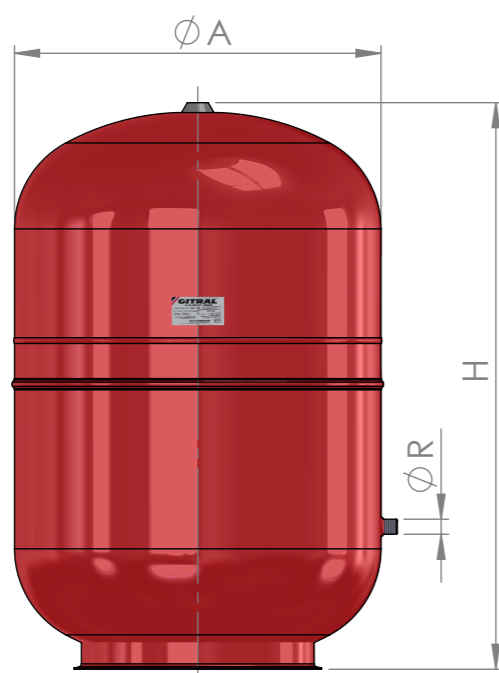
80-105-150-200 (L)



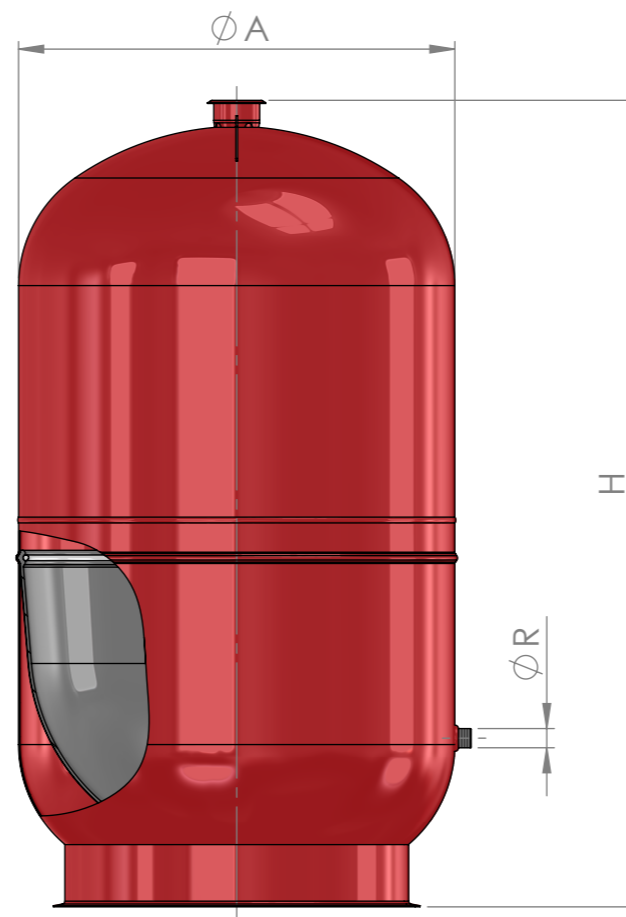
400-600-700-900 (L)



250-300 (L)



500 (L)



All dimension tolerances not indicated are  $\pm 2\%$  for length and  $\pm 3\text{mm}$  for diameter